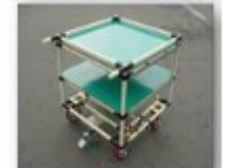




# GLOBAL AUTOMATE SOLUTIONS

Increase Your Shop Floor Efficiency With Us!!!



Assembly



Stainless pipe



*Increase your shop floor efficiency with us!!*

**Exclusive Indian Manufacturer of Shop Floor Handling Equipments. Leading Manufacturer of Aluminium Profile & Accessories using this Modular system we create versatile, precise, bespoke, solutions for a multitude of industries.**



# 1. Aluminium Profiles

**Global Automate have extensive Aluminium profile range includes the following sections:**



**Material -  
Tensile Strength -  
Anodized -  
Standard Length -**

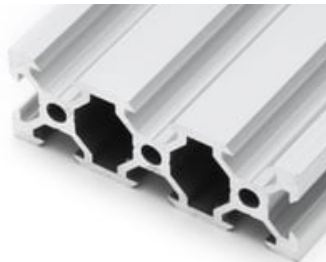
**Al 6063T6  
> 220 N/mm<sup>2</sup>  
10-15 micron  
3/6 Mtr**



**20x20 T  
20x40 T  
20R**



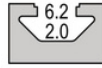
**20x20 V  
20x40 V  
20x60 V  
20X60 T**



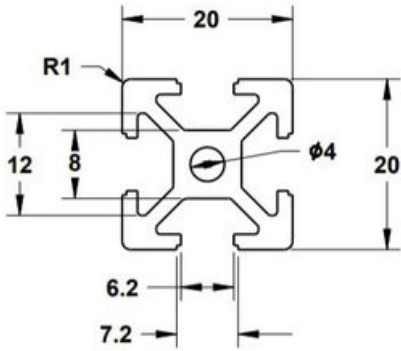


# 1. Aluminium Profiles

**Profile 20x20 T**



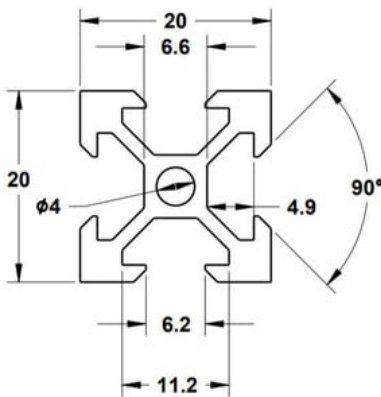
**GA2020TS**



**Profile 20x20 V**



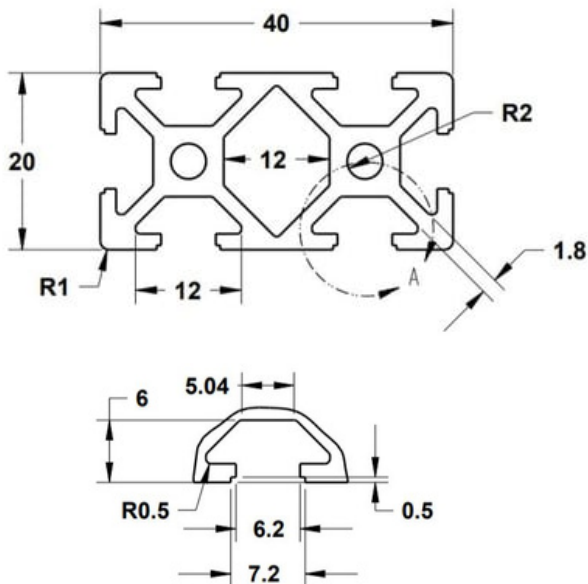
**GA2020VS**



**Profile 20x40 T**



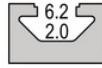
**GA2040VTS**



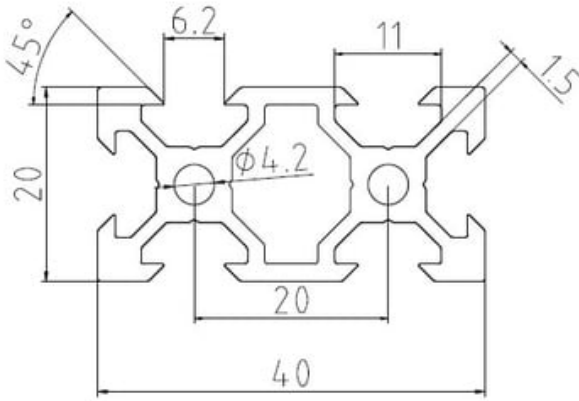


## 1. Aluminium Profiles

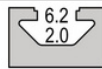
**Profile 20x40 V**



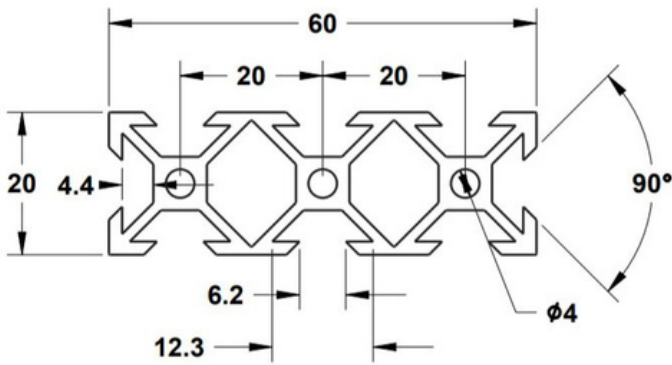
**GA2040VS**



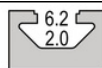
**Profile 20x60 V**



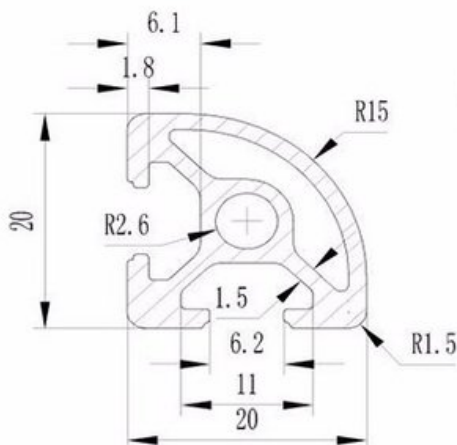
**GA2060VS**



**Profile 20x20 R**



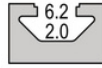
**GA2020RS**





# **1. Aluminium Profiles**

**Profile 20x60 T**



**GA2060TS**

